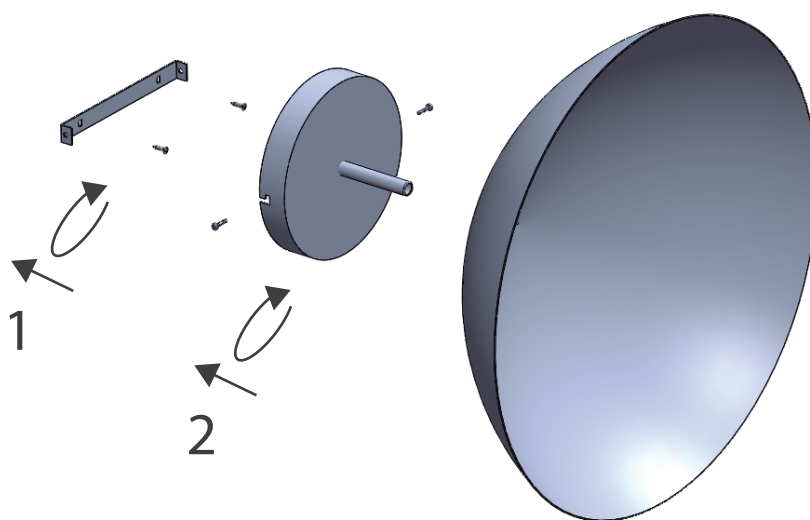




CUT THE NETWORK CURRENT BEFORE STARTING INSTALLATION



1

Fix the wall fitting (20 cm in length) to the wall with screws

2

Holding the flower with screws

BULBS

Lamp holder E27

ICONS



FEATURES

230 V - 1 x 40 W máx.

