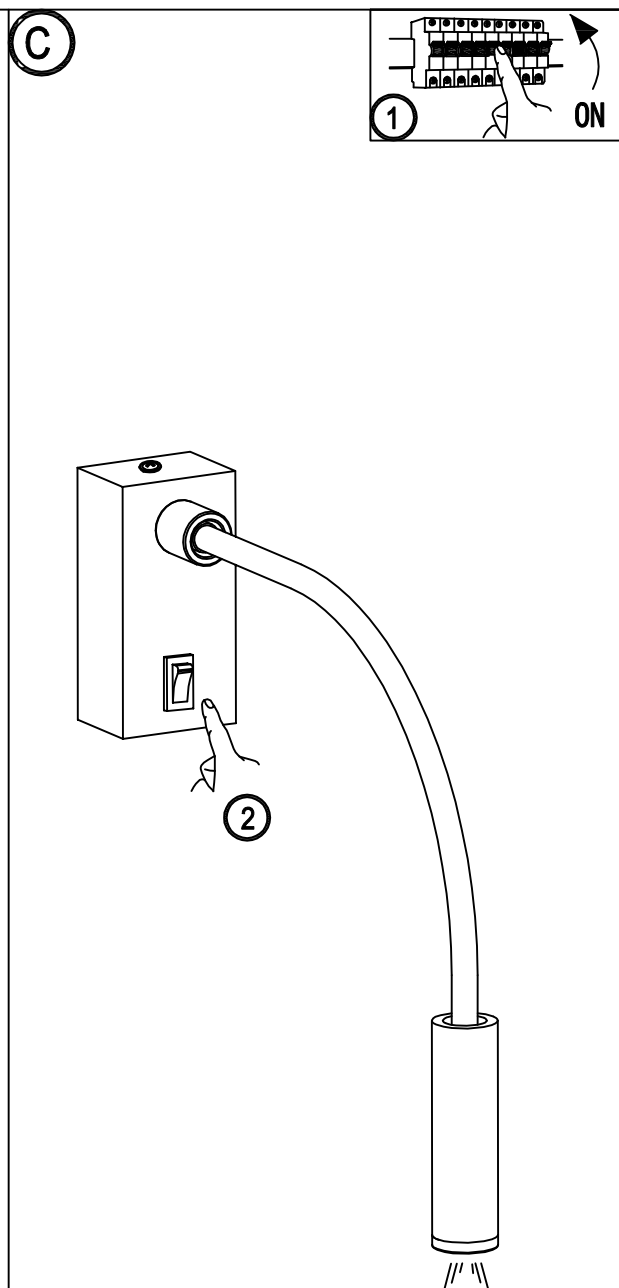
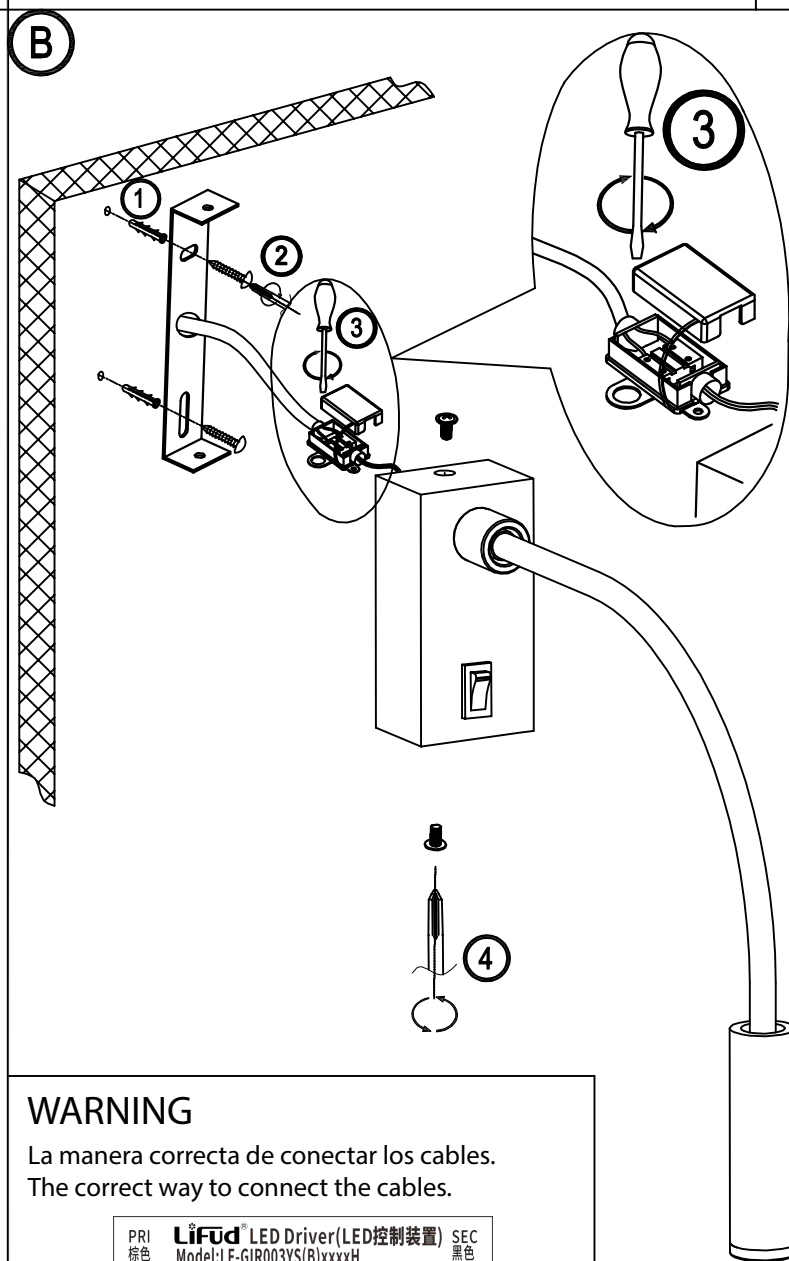
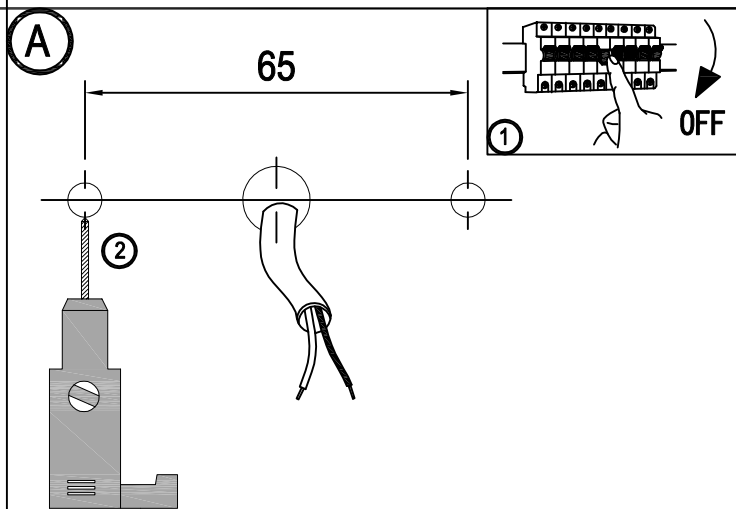
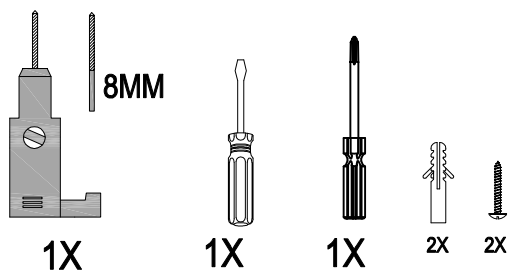


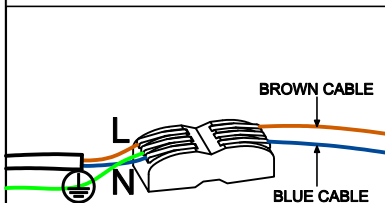
REF.: A1151/NEG
REF.: A1151/BCO



WARNING

La manera correcta de conectar los cables.
The correct way to connect the cables.

PRI 棕色 BROWN	Lifud LED Driver (LED控制装置) Model: LF-GIRO03YS(B)xxxxxH Input: 220-240V ~ 50/60Hz Max. 0.06A Output Voltage: xx-xV --- P rated: xxW ta: 50°C U out: xxV --- I rated: xxxmA (CC) PF: >xx tc: 75°C For LED modules only www.lifud.com Made in China (中国制造)	SEC 黑色 BLACK
AC-L 蓝色 BLUE		LED-
AC-N 蓝色 BLUE		LED+
		RED
		红色 RED



Solo par uso en interiores / Indoor use only

Fuente de luz NO reemplazable / Light source NON-replaceable

aromas

