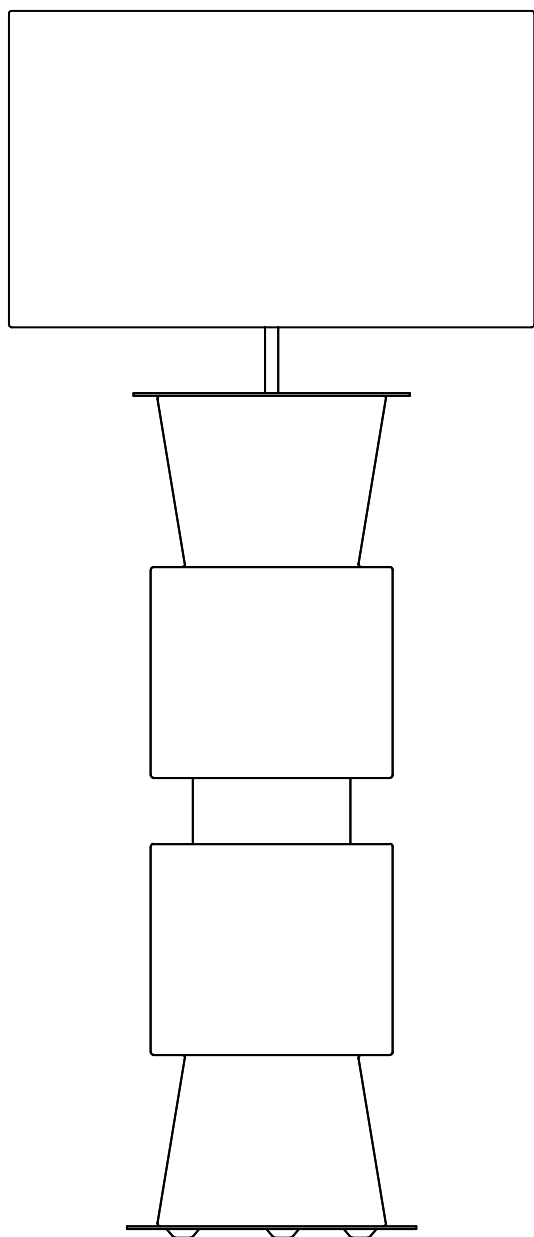


PONN PONN

NAC109

aromas

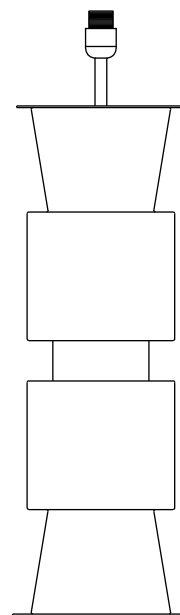
Power: 220-240 V 50/60 Hz 60 W



© X 1*

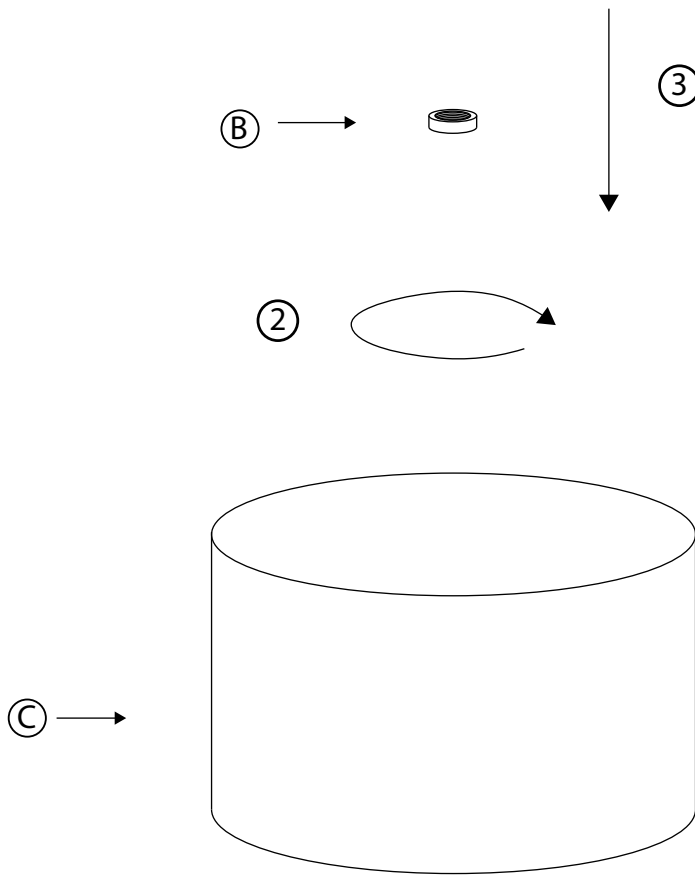


Ⓑ X 1



Ⓐ X 1

***PANTALLA NO INCLUIDA**
SHADE NOT INCLUDED



Ⓒ →

Ⓑ →

②

③

①

①

Sobre la base colocar la pantalla/
Place the shade on the base

②

Roscar la pantalla para así bloquearla/
Screw down the shade to lock it

③

Colocar la bombilla /
Install the bulb

Ⓐ →

