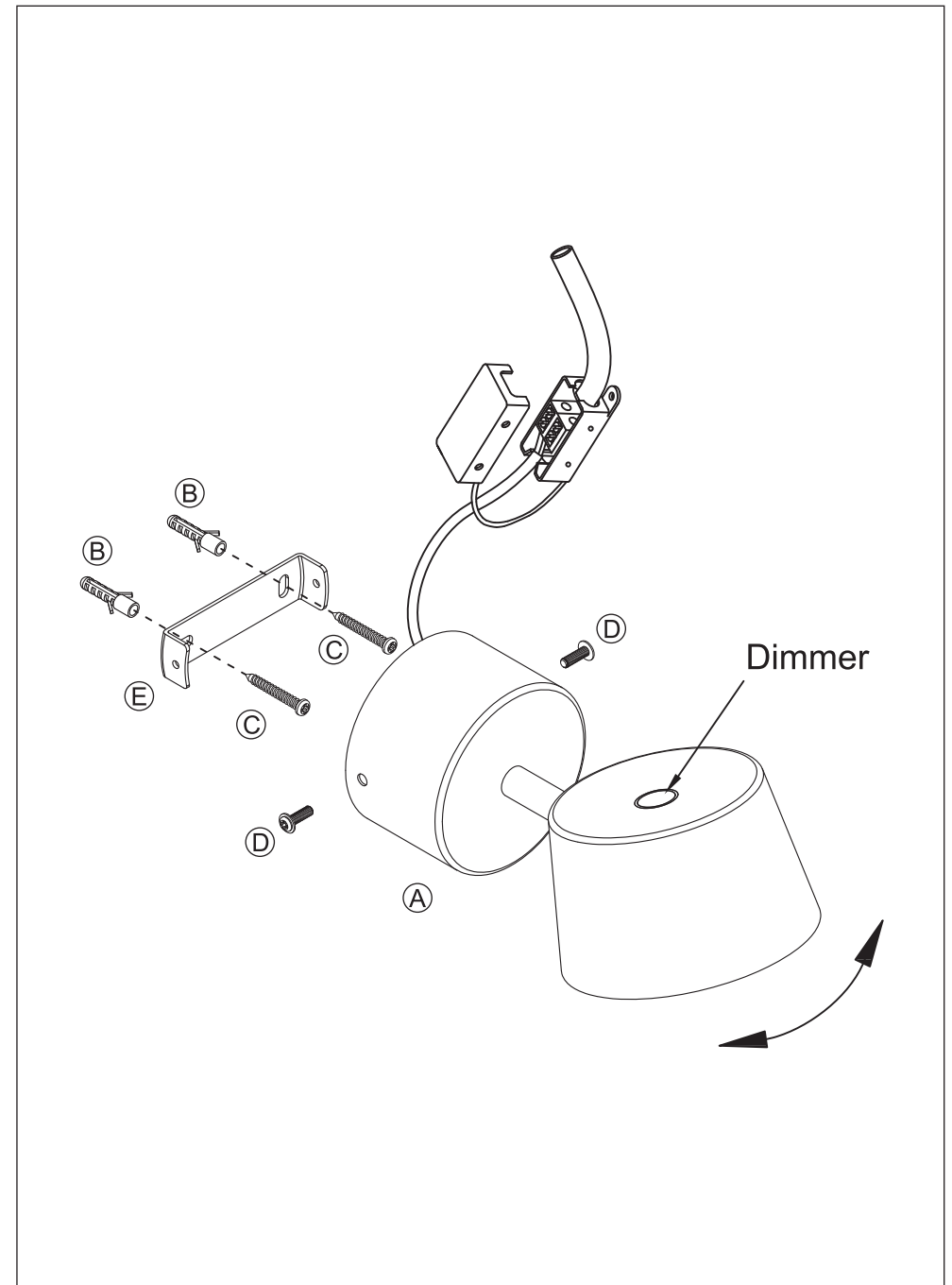
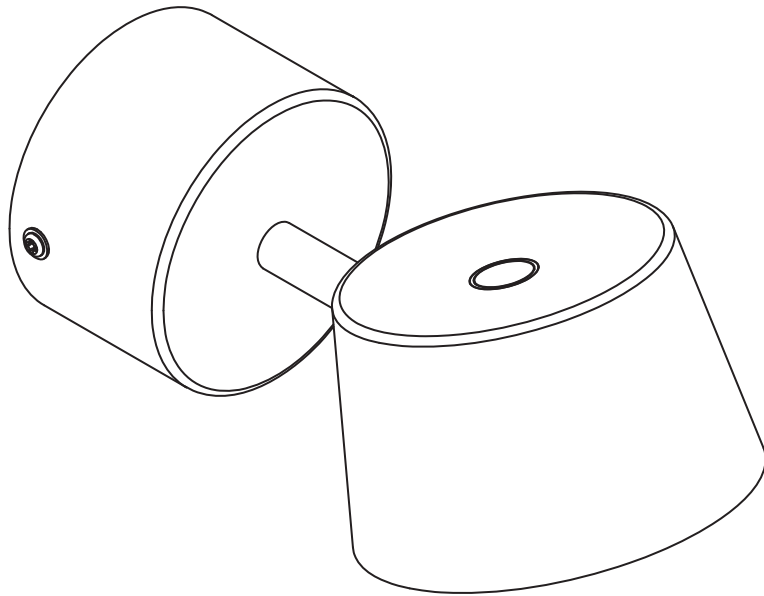
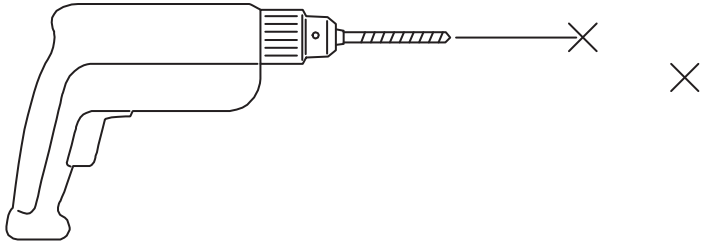
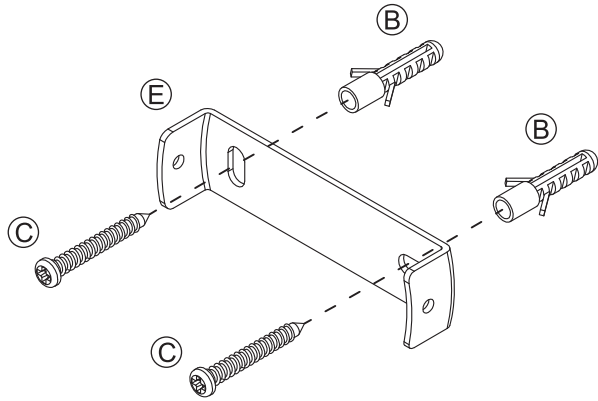
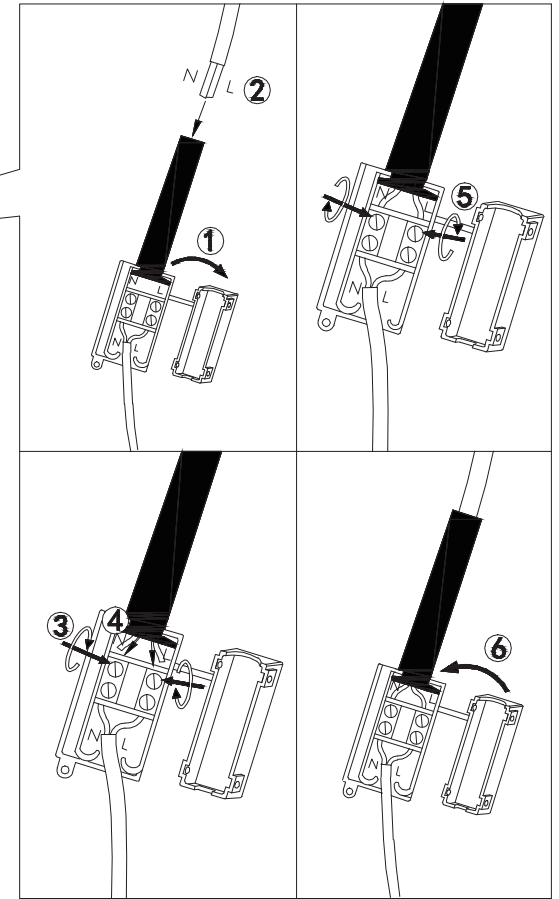
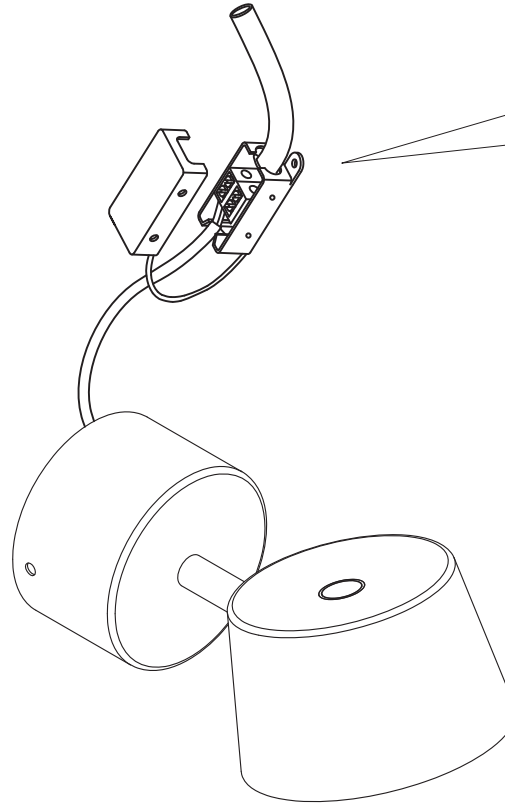


# aromas ASSEMBLY INSTRUCTIONS

## A1229



**Caution:** If the external flexible cable or cord of this luminaire is damaged, it should be replaced by a qualified person in order to avoid a hazard.

**1****2****3****4**