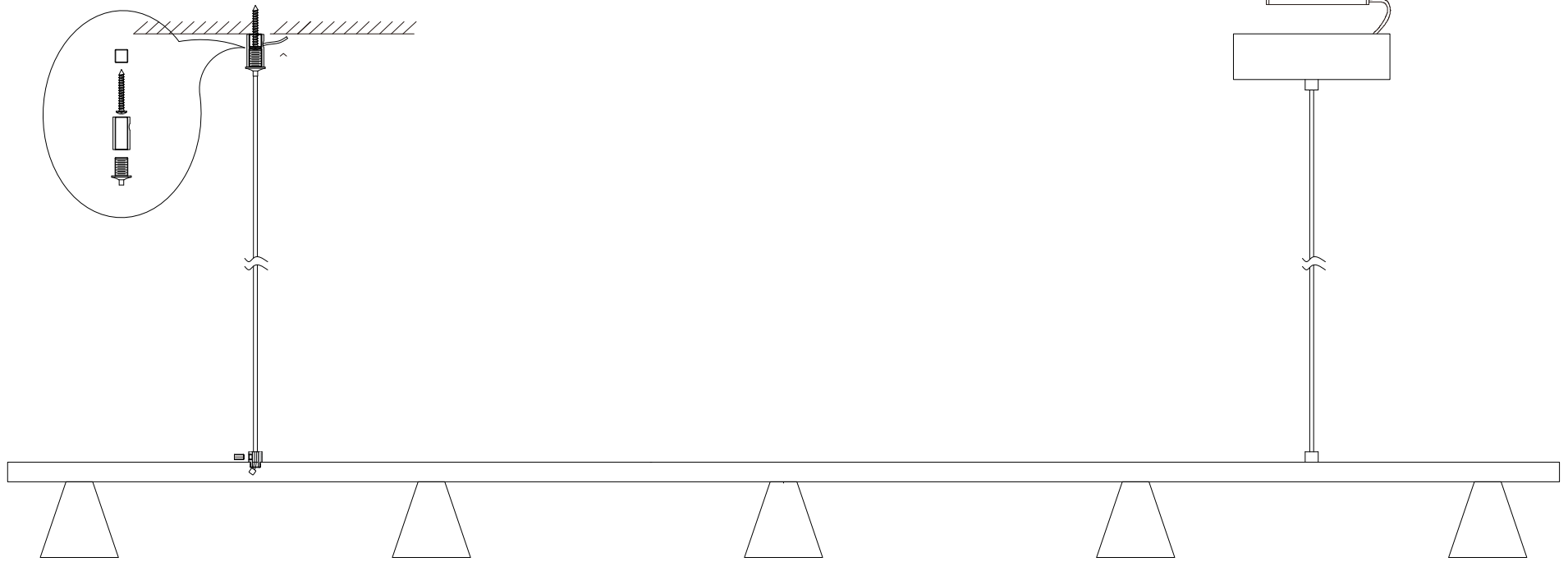
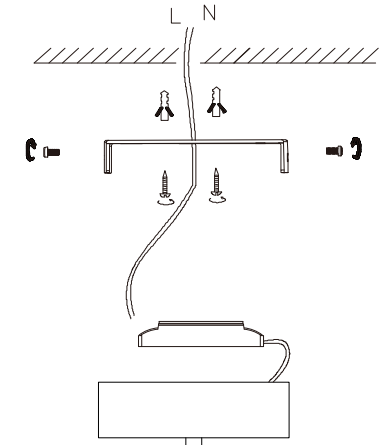


OFF



WARNING

La manera correcta de conectar los cables.
The correct way to connect the cables.

<p>Input</p> <p>AC-N</p> <p>AC-L</p> <p>0.75-1.5</p>	<p>LED Driver (LED控制装置)</p> <p>Model: LF-GIF036VF(G)XXXXH</p> <p>Input: 220-240V ~ 50/60Hz Max. 0.22A</p> <p>Output Voltage: 30-42V = P rated: XX.XW</p> <p>U out: 5V = I rated: XXXmA(CC)</p> <p>PF: 0.9C ta: 55°C tc: 90°C</p> <p>For LED modules only www.lifud.com</p>	<p>Preparation for input and output</p> <p>17.5mm</p> <p>Made in China (中国制造)</p> <p>Output</p> <p>LED+</p> <p>LED-</p> <p>0.5-1.0</p>
--	--	--



BLUE CABLE

aromas

Solo par uso en interiores / Indoor use only

Fuente de luz NO reemplazable / Light source NON-replaceable

