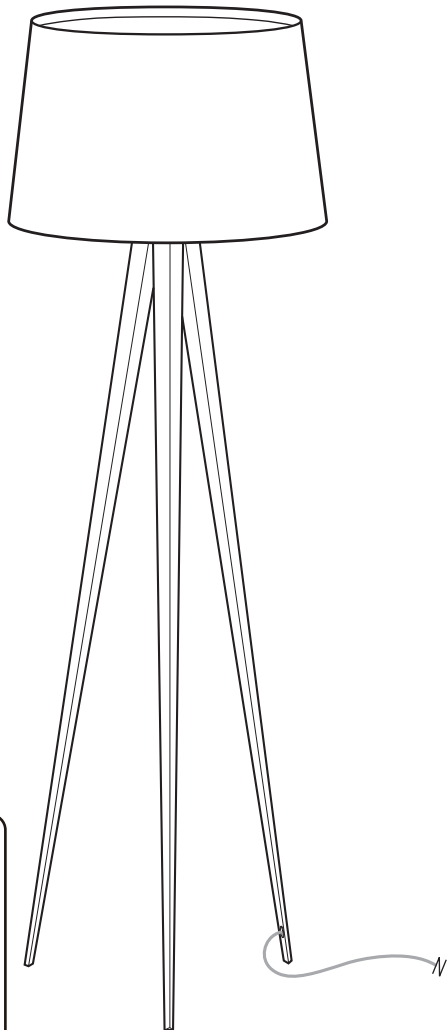


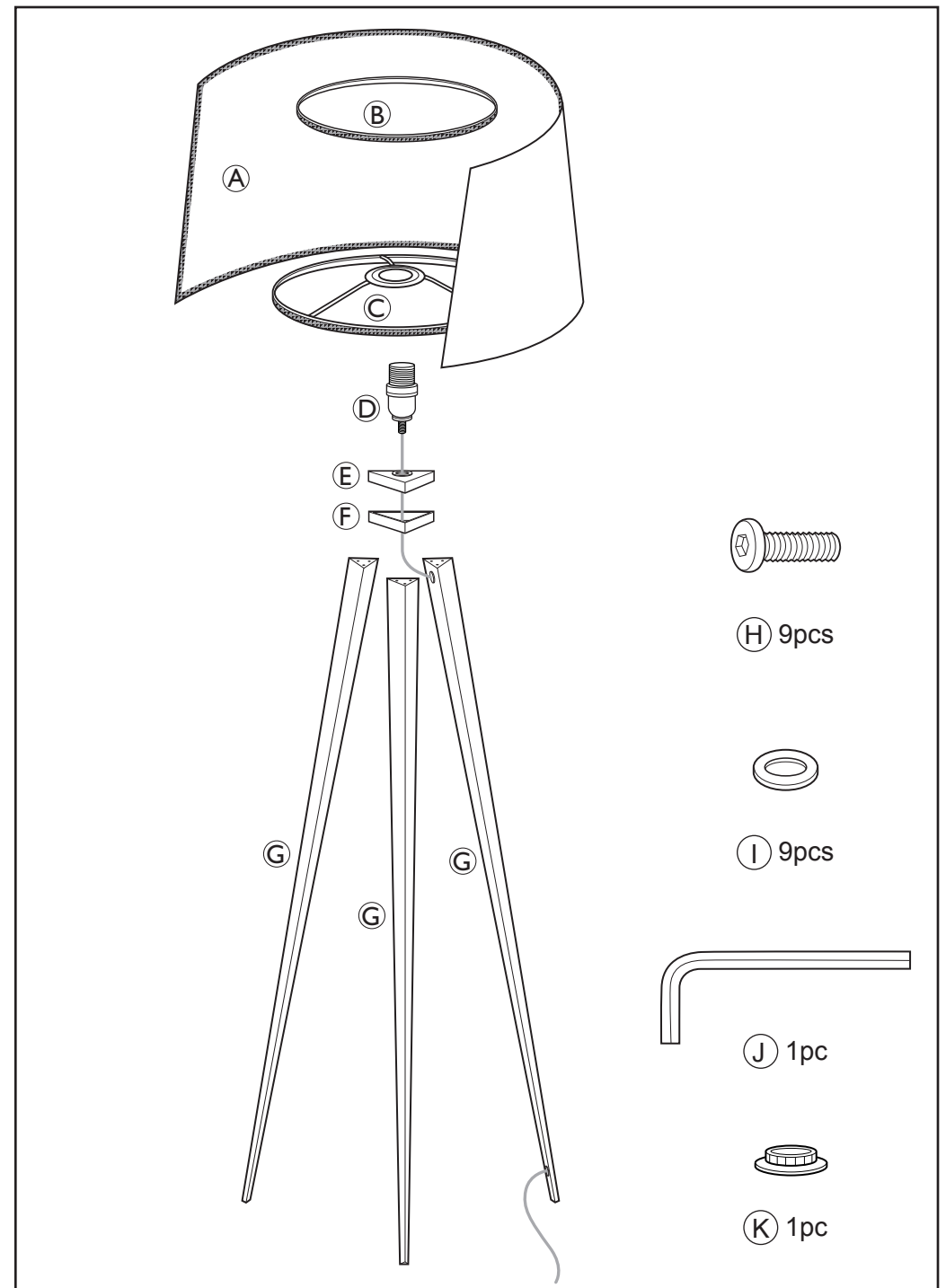
aromas ASSEMBLY INSTRUCTIONS

PI184

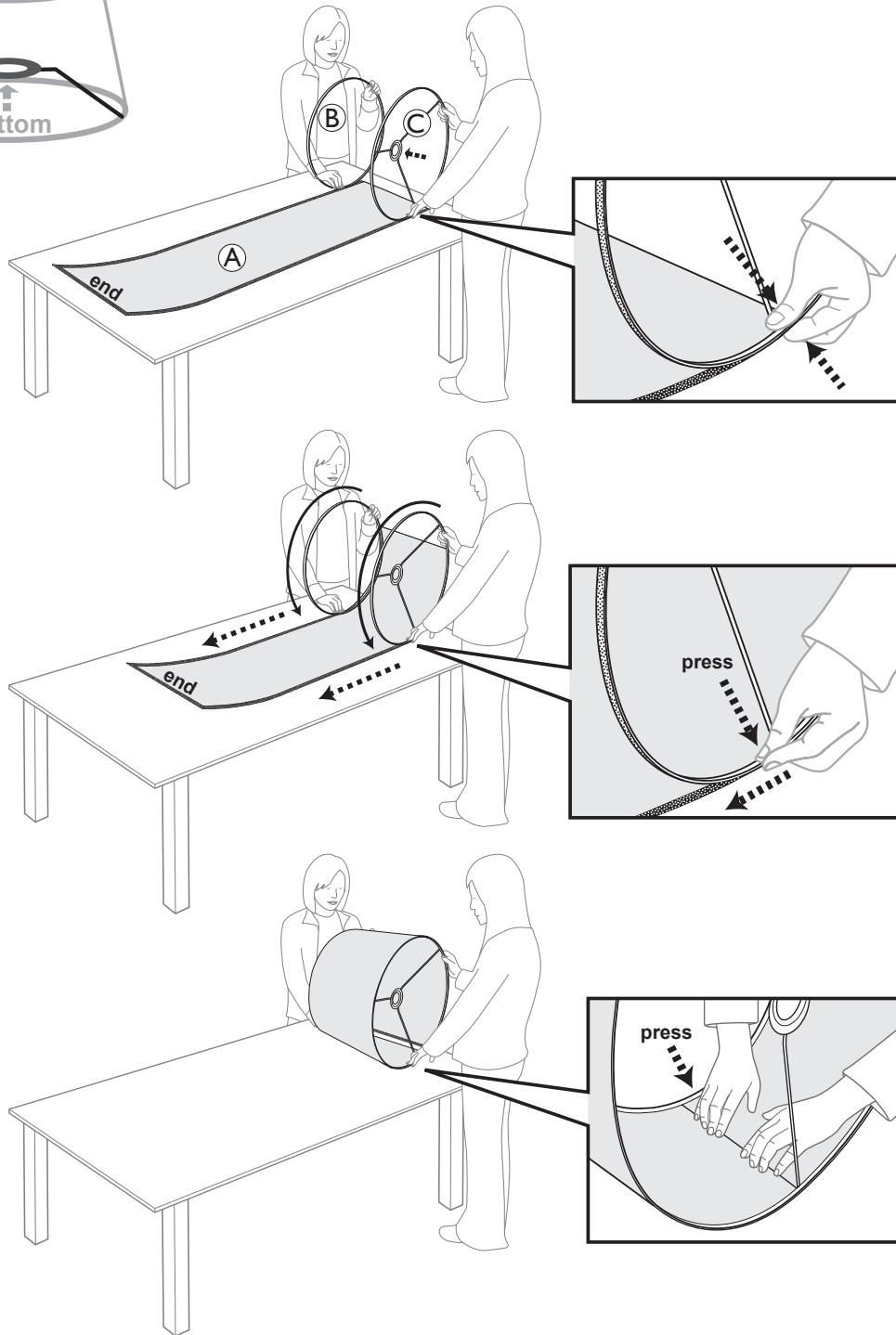
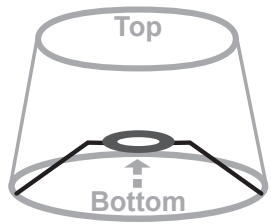


LAMPSHADE patent
USA: US 8,292,476
China: ZL200820000799.4
EU: 2098777/2988456
DE/FR/NL: EP2098777
Japan: 3145825
Taiwan: M350672

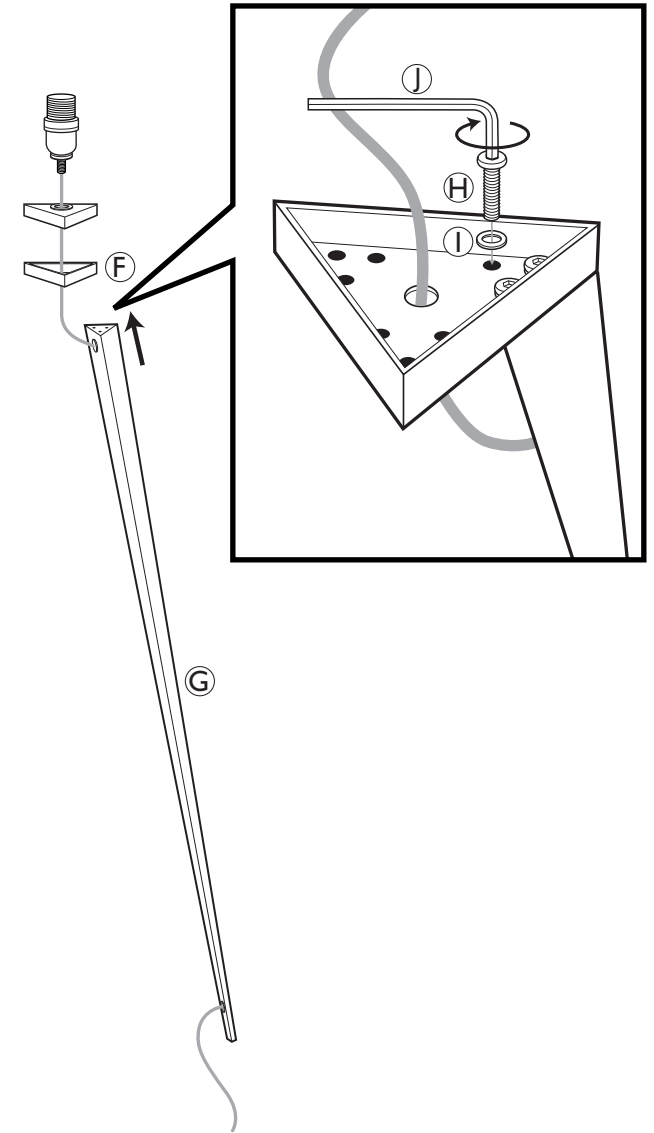
Caution : If the external flexible cable or cord of this luminaire is damaged, it should be replaced by a qualified person in order to avoid a hazard.



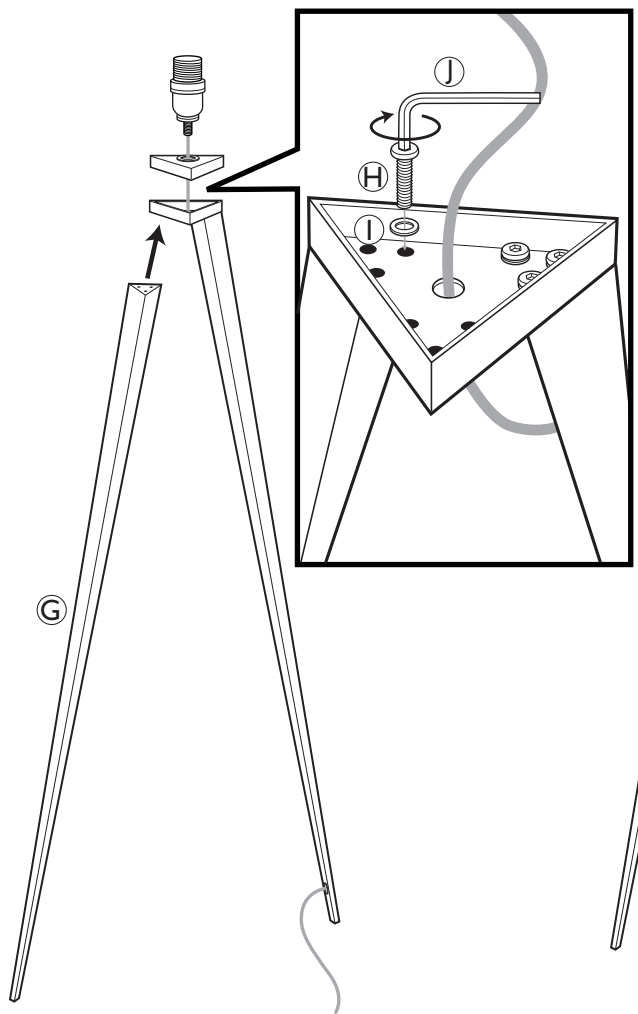
1



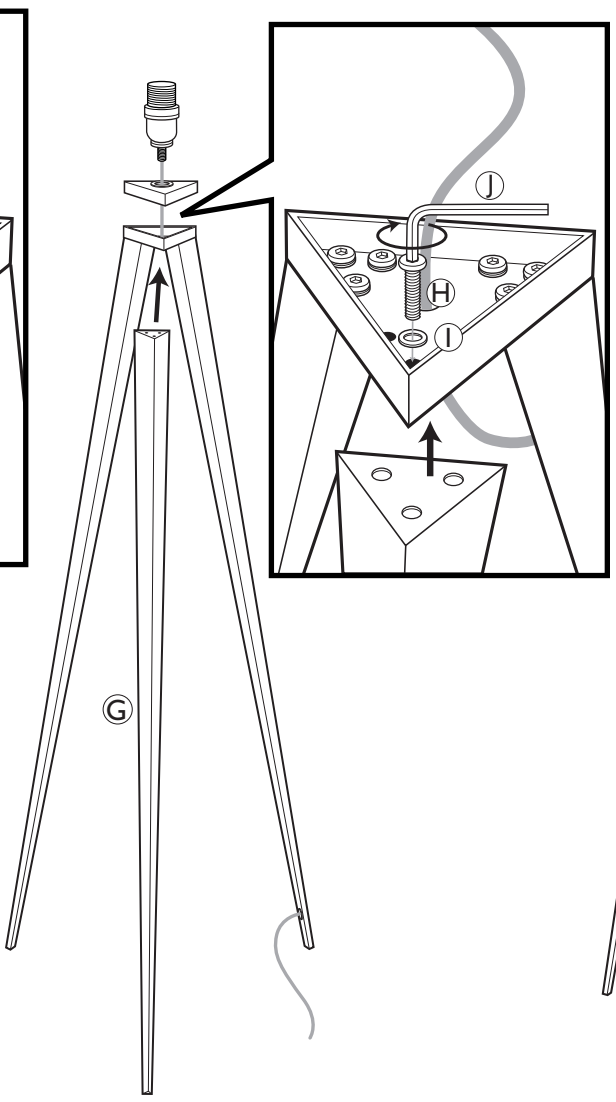
2



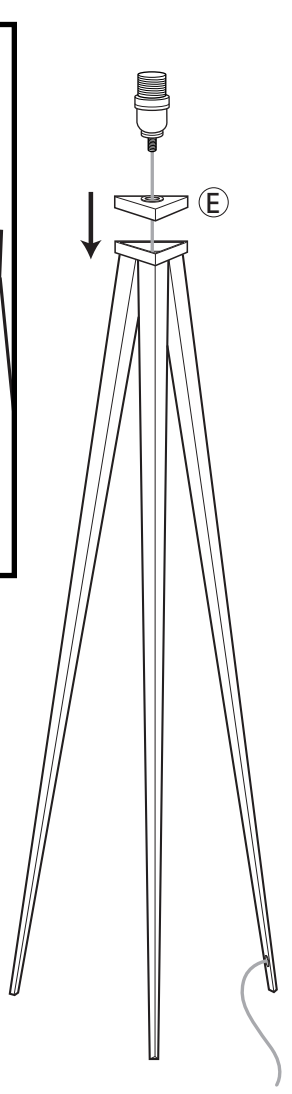
3



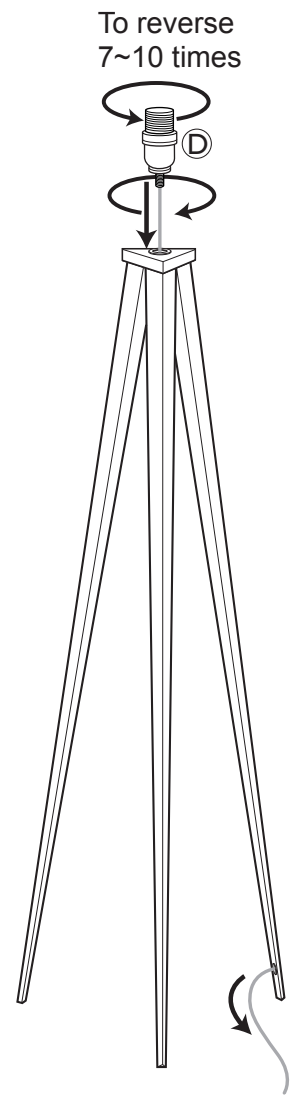
4



5



6



7

