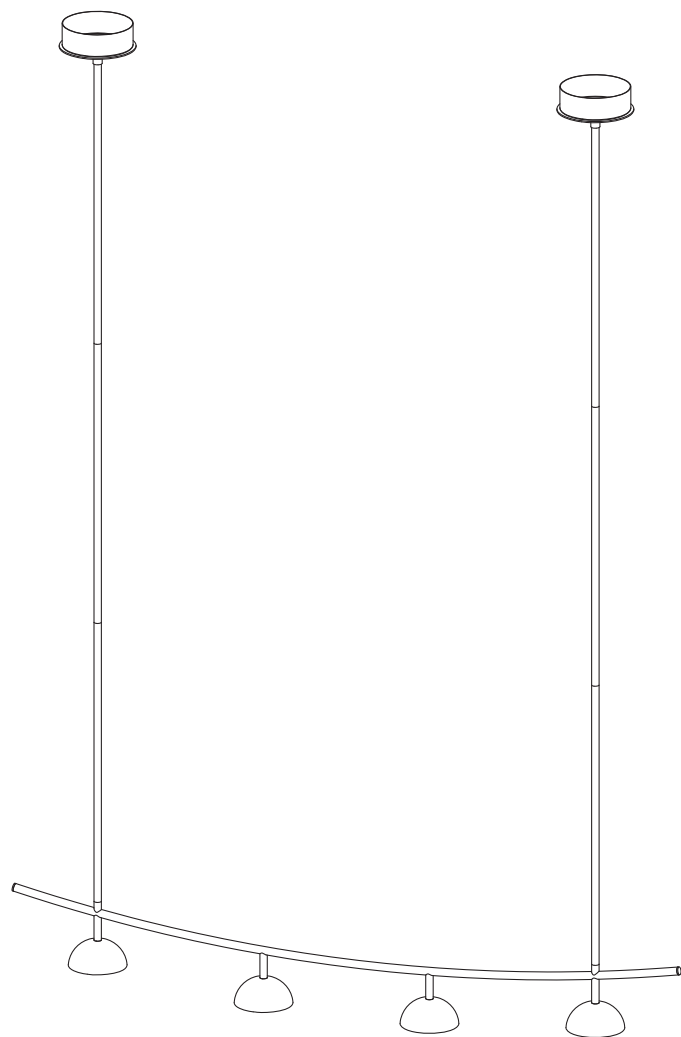


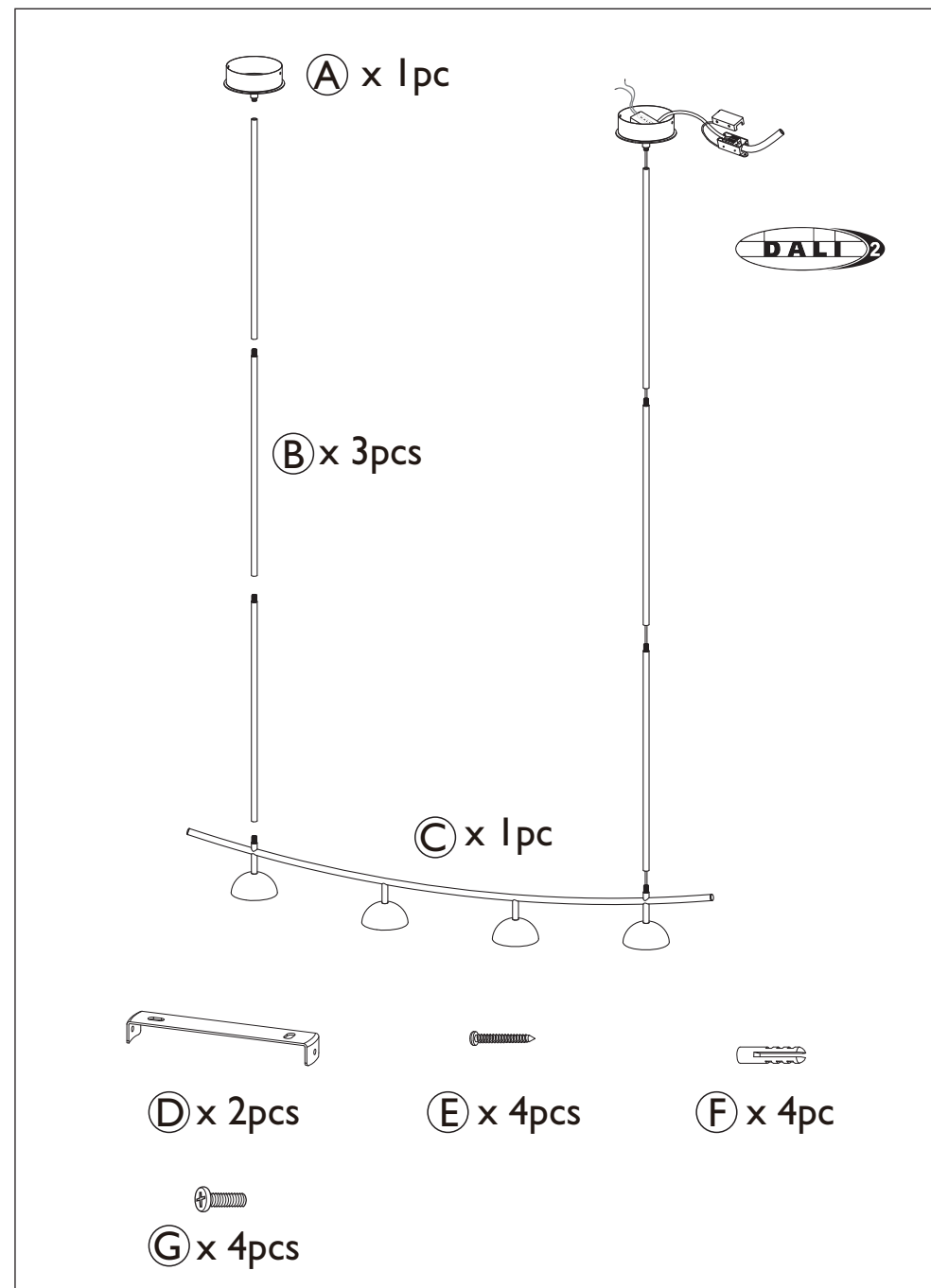
aromas

# ASSEMBLY INSTRUCTIONS

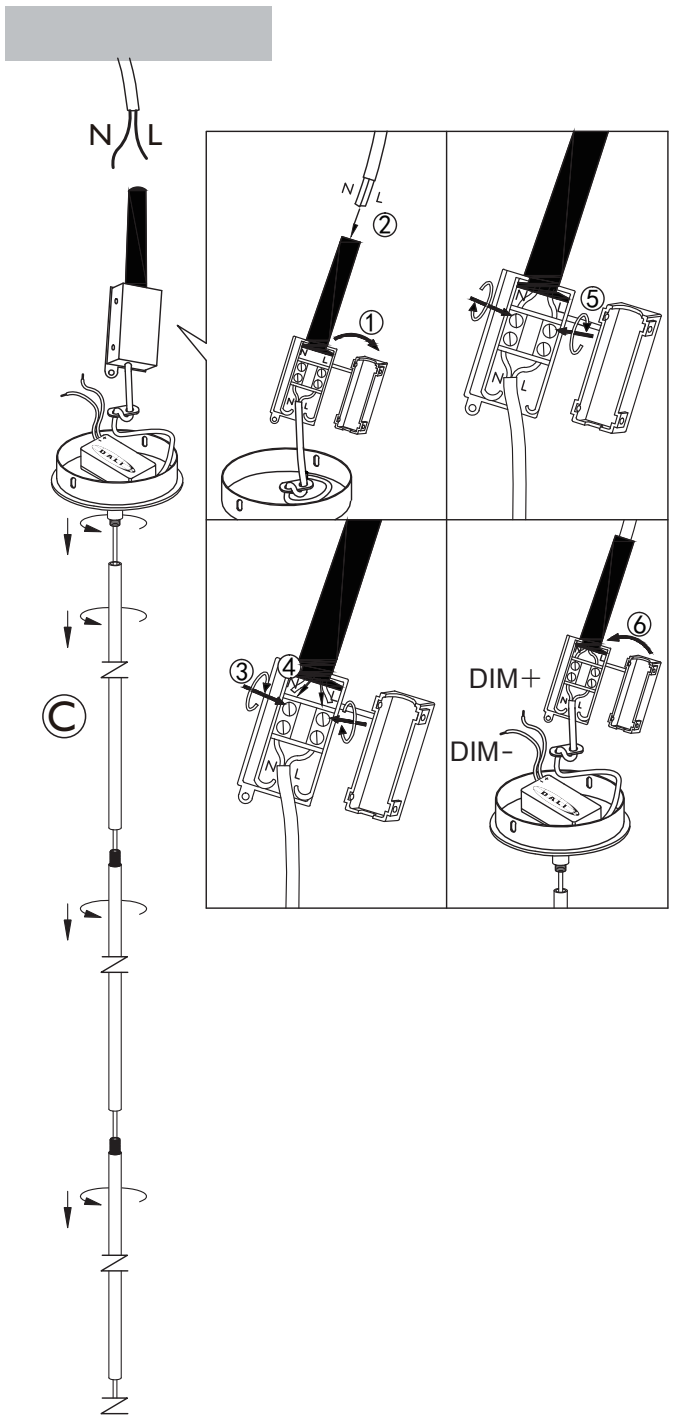
C1309/4



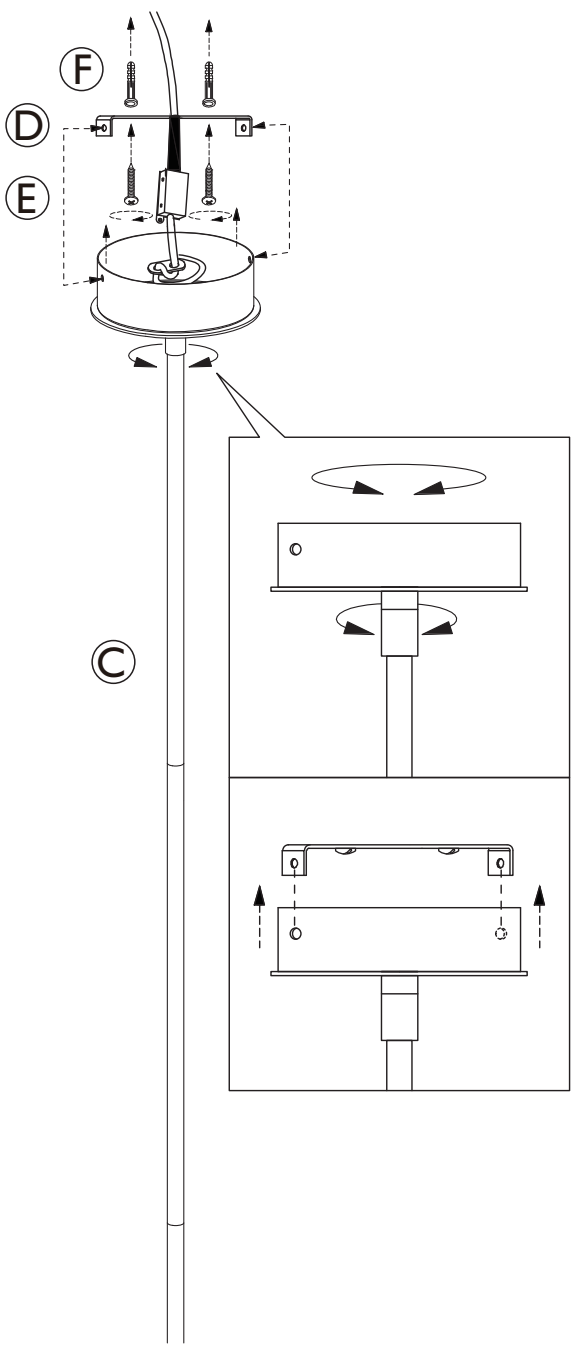
**Caution:** If the external flexible cable or cord of this luminaire is damaged, it should be replaced by a qualified person in order to avoid a hazard.



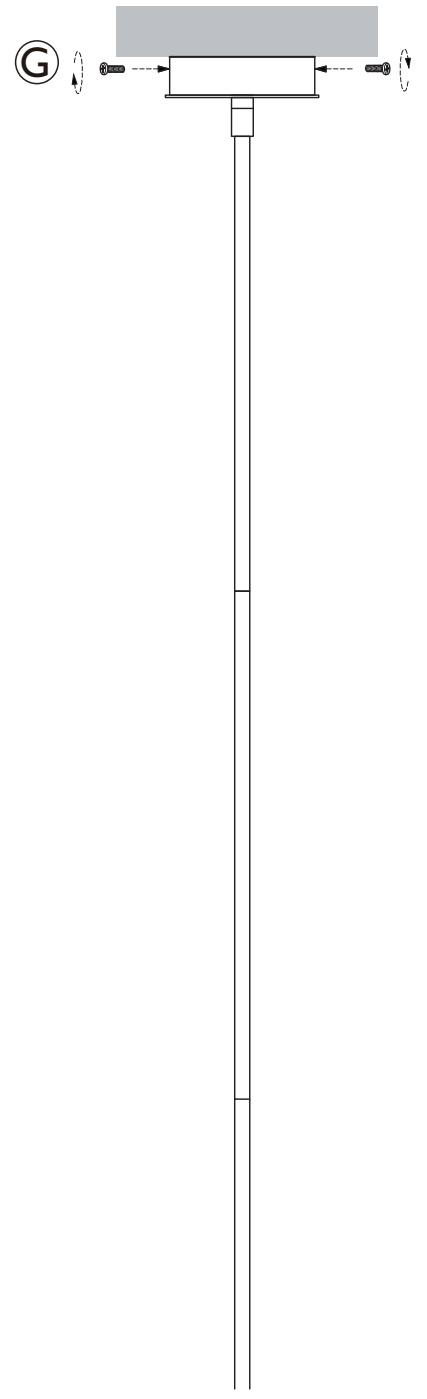
1



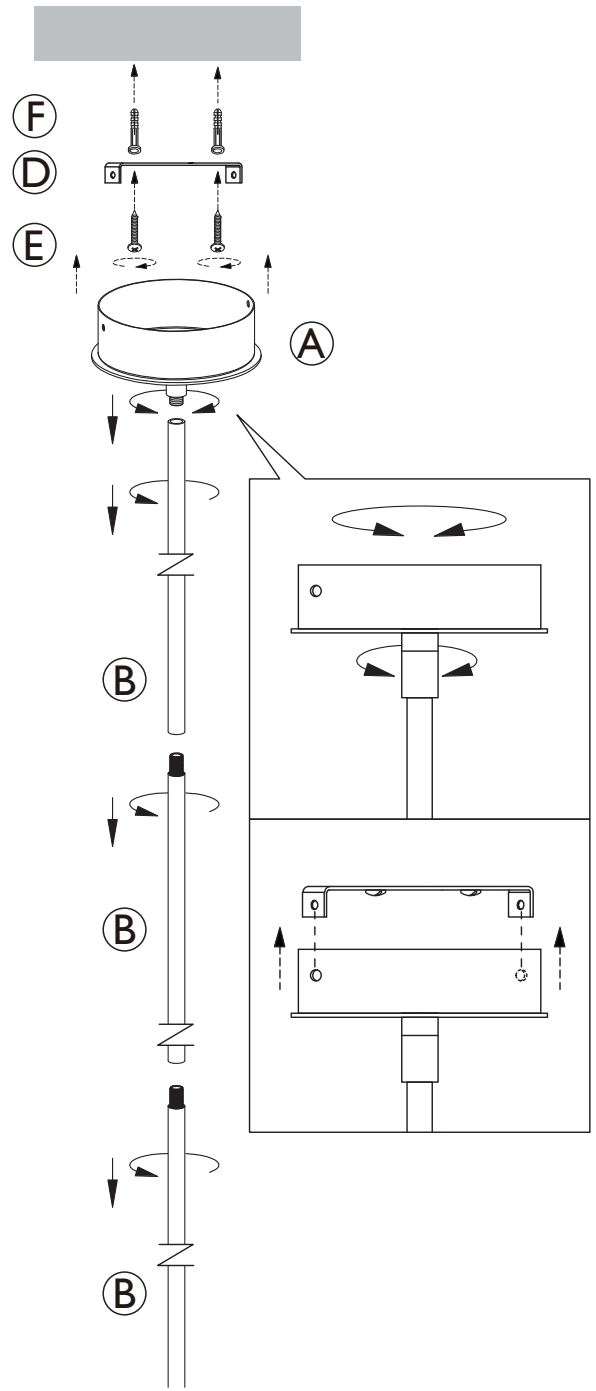
2



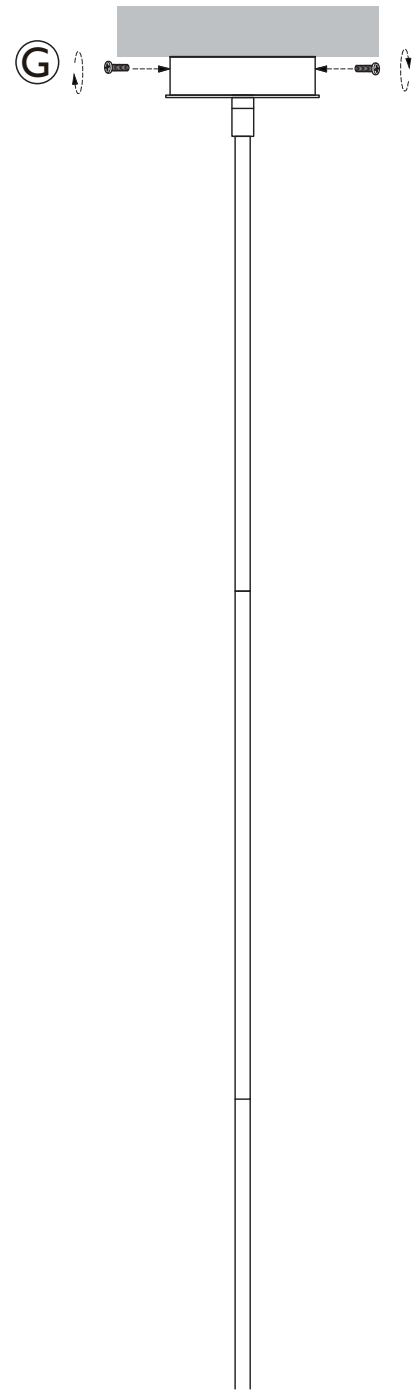
3



4



5



6

